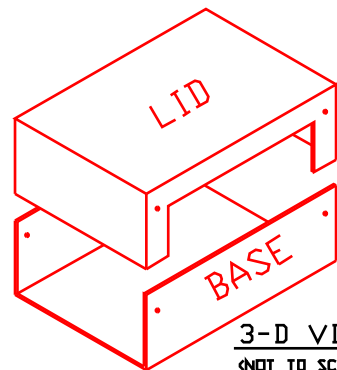


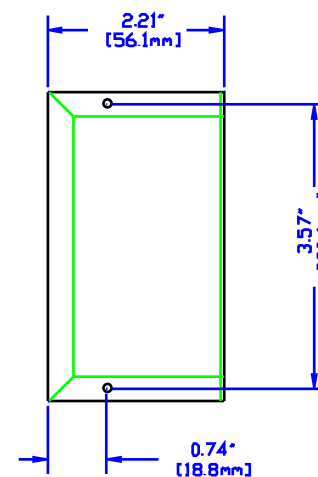
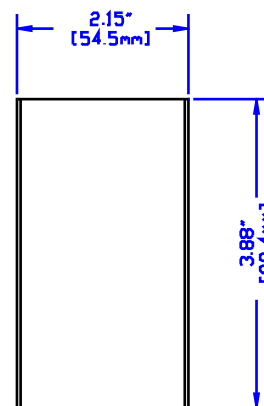
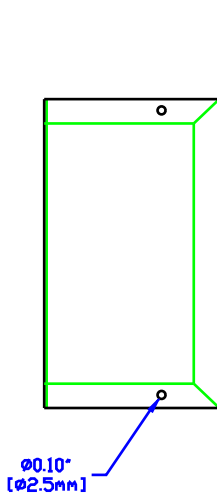
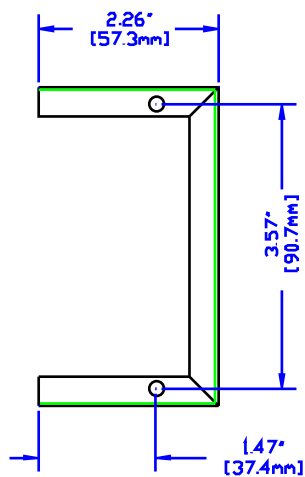
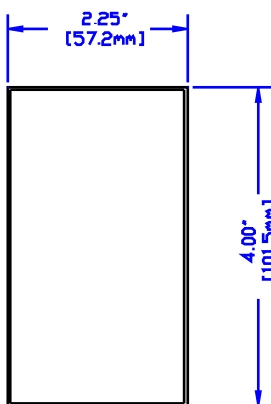
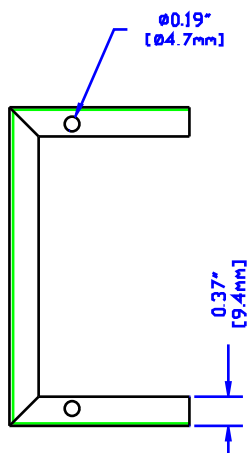
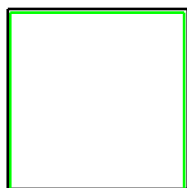
NOTES

MATERIAL - 0.040" THICK ALUMINUM
 - #6 x 1/4" SELF TAPPING SCREWS

** 1411H - FINISHED ASA 61 GREY
 1411HU - UNFINISHED



3-D VIEW
 <NOT TO SCALE>



VIEW OF BASE <INSIDE>

VIEW OF LID <INSIDE>



HAMMOND MANUFACTURING

1411H-Handy Case

website: www.hammondmfg.com